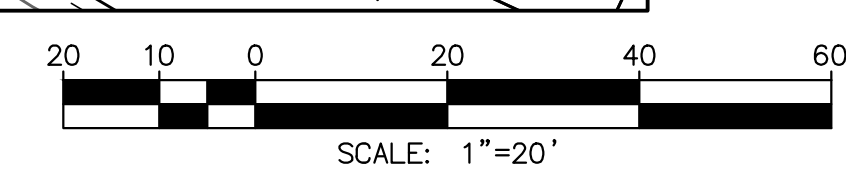


SINGLE FAMILY HOMES ENTRY GATE DETAIL

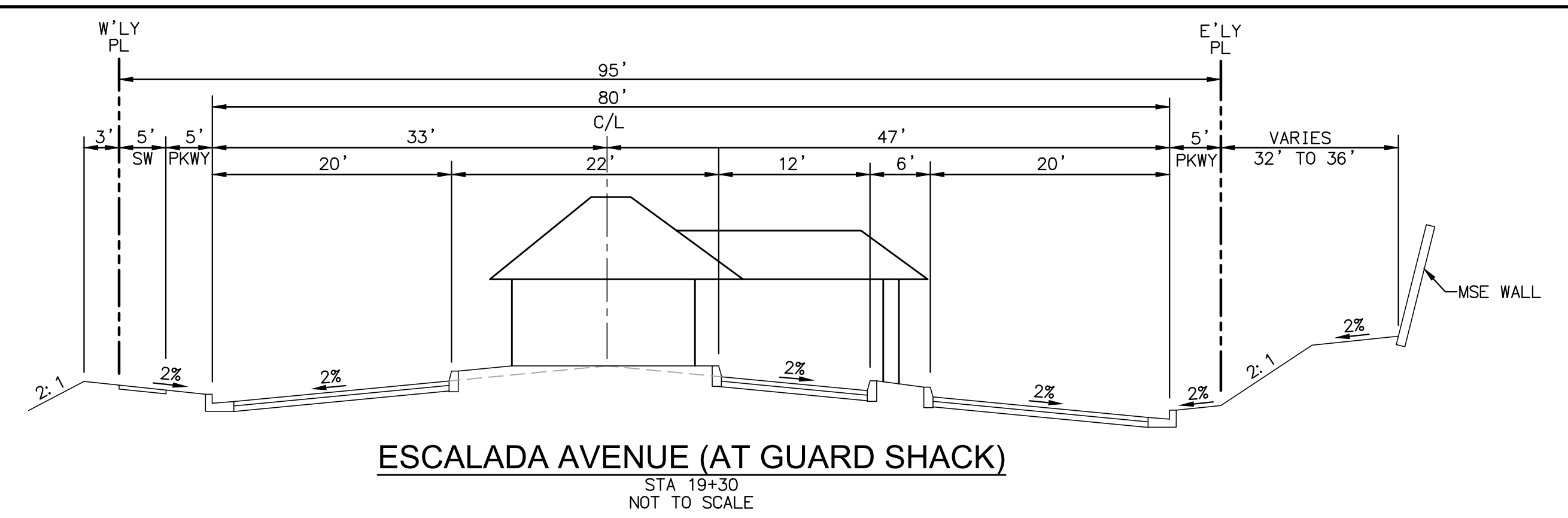
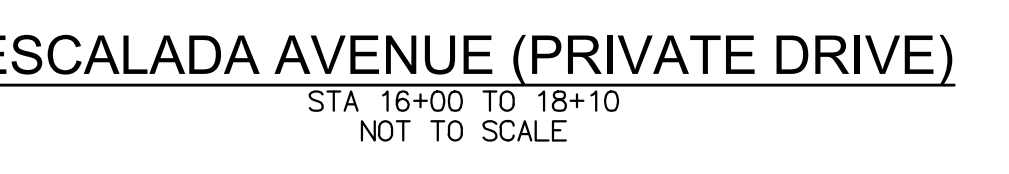
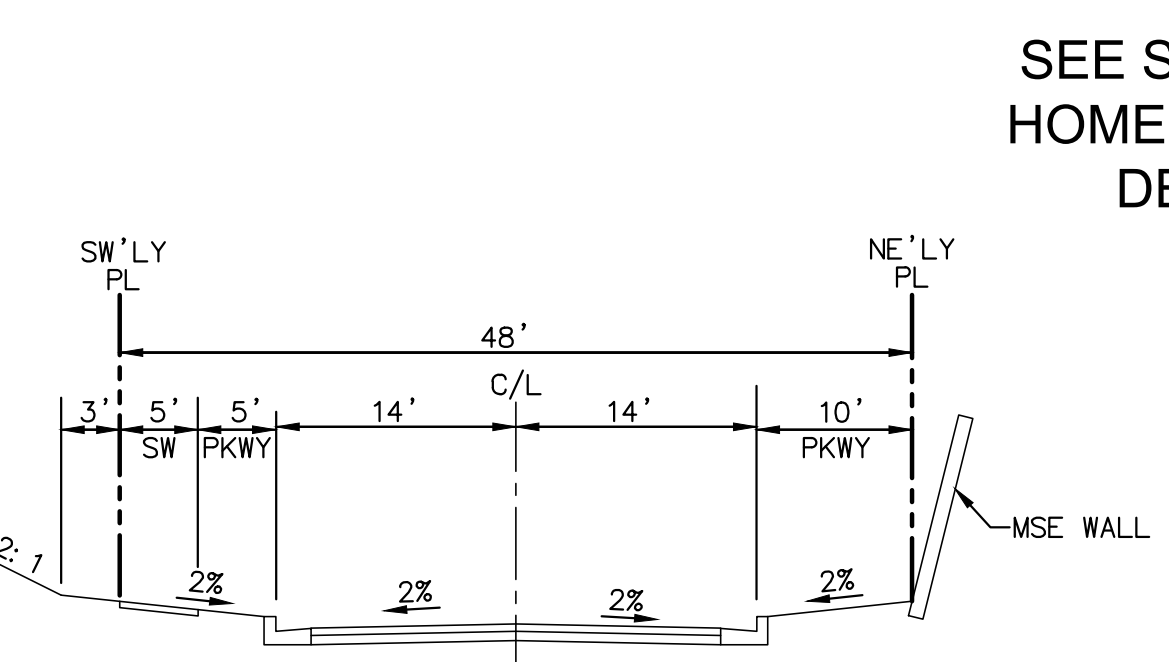
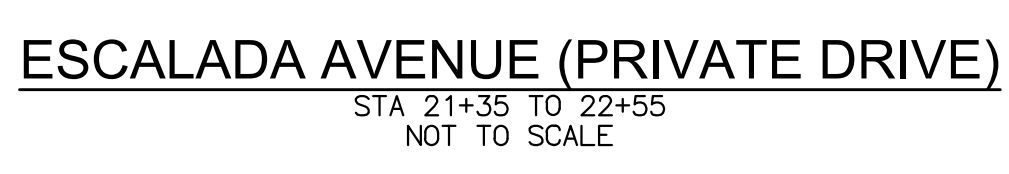


STATION	BEARING/DELTA	RADIUS	LENGTH	TANGENT
1	N 55°39'28" W	---	358.67'	---
2	26°02'30"	250.00'	113.63'	57.81'
3	N 29°36'58" W	---	87.12'	---
4	N 119°30'34" W	190.00'	396.31'	325.86'
5	N 89°53'36" E	---	41.57'	---
6	29°13'14"	150.00'	76.50'	39.10'
7	N 35°49'53" W	---	203.93'	---
8	15°00'08"	150.00'	39.28'	19.75'
9	N 50°50'01" W	---	14.00'	---
10	95°58'05"	25.00'	41.87'	27.75'
11	N 55°39'28" W	---	94.37'	---
12	62°37'33"	25.00'	27.33'	15.21'
13	N 61°42'59" E	---	37.01'	---
14	24°27'26"	25.00'	10.67'	5.42'
15	40°41'20"	10.00'	7.10'	3.71'
16	N 45°29'05" E	---	10.49'	---
17	73°46'06"	10.00'	12.88'	7.50'
18	149°27'54"	10.00'	26.09'	36.64'
19	43°14'00"	25.00'	18.86'	9.91'
20	N 45°29'05" E	---	4.20'	---
21	97°19'42"	25.00'	42.47'	28.42'

STATION	BEARING/DELTA	RADIUS	LENGTH	TANGENT
22	N 51°50'37" W	---	92.89'	---
23	N 55°39'28" W	---	61.37'	---
24	26°02'30"	264.00'	119.99'	61.05'
25	N 29°36'58" W	---	43.00'	---
26	22°39'51"	100.00'	39.56'	20.04'
27	44°46'22"	100.00'	78.14'	41.19'
28	N 07°30'27" W	---	45.00'	---
29	41°42'15"	50.00'	36.39'	19.05'
30	N 34°11'48" E	---	47.33'	---
31	N 11°19'39" W	25.00'	4.94'	2.48'
32	66°01'44"	204.00'	235.09'	132.55'
33	88°01'44"	25.00'	38.41'	24.15'
34	71°57'13"	25.00'	31.40'	18.15'
35	N 89°53'36" E	---	12.24'	---
36	37°02'58"	176.00'	113.81'	58.97'
37	94°33'01"	25.00'	41.33'	27.15'
38	06°02'30"	163.00'	17.19'	8.60'
39	N 35°49'53" W	---	110.30'	---
40	N 47°08'29" W	---	10.20'	---
41	N 35°49'53" W	---	50.00'	---
42	N 24°31'18" W	---	10.20'	---

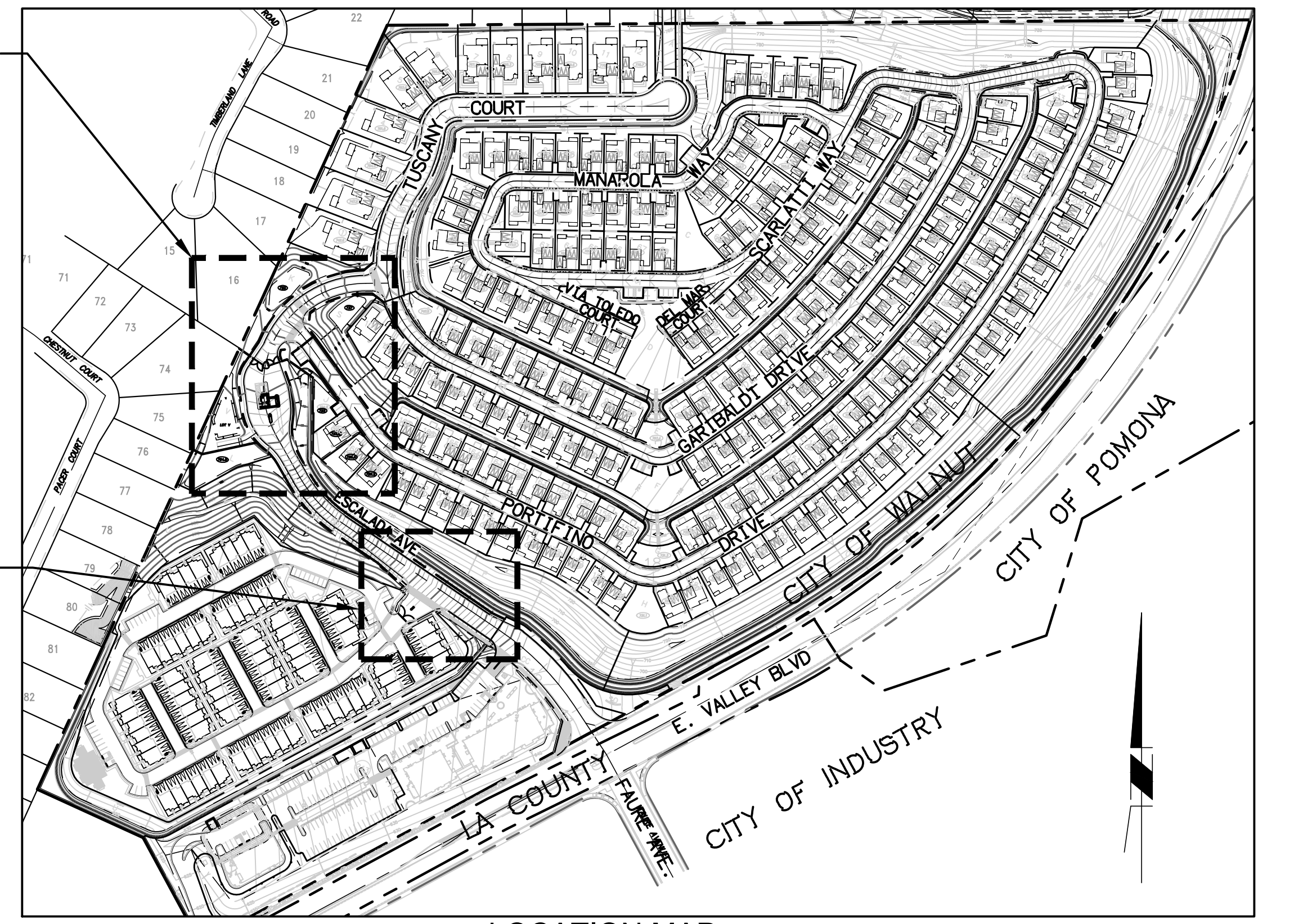
STATION	BEARING/DELTA	RADIUS	LENGTH	TANGENT
43	N 35°49'53" W	---	23.63'	---
44	29°13'12"	137.00'	69.87'	35.71'
45	29°13'12"	163.00'	83.13'	42.49'
46	N 35°49'53" W	---	201.78'	---
47	163°21'02"	25.00'	71.28'	170.85'
48	N 19°10'55" W	---	51.66'	---
49	11°40'28"	60.00'	12.23'	6.13'
50	N 07°30'27" W	---	23.00'	---
51	17°15'29"	100.00'	30.12'	15.18'
52	39°22'00"	100.00'	68.71'	35.77'
53	N 29°36'58" W	---	38.37'	---
54	26°02'30"	236.00'	107.27'	54.58'
55	N 55°39'28" W	---	324.97'	---
56	08°55'40"	50.00'	7.79'	3.90'
57	N 64°35'08" W	---	50.00'	---
58	N 45°29'05" E	---	6.00'	---
59	180°00'00"	1.00'	3.14'	---
60	N 45°29'05" E	---	6.00'	---
61	180°00'00"	1.00'	3.14'	---
62	N 07°30'27" W	---	12.00'	---
63	180°00'00"	2.00'	6.28'	---

STATION	BEARING/DELTA	RADIUS	LENGTH	TANGENT
64	N 07°30'27" W	---	12.00'	---
65	180°00'00"	2.00'	6.28'	---
66	N 07°30'27" W	---	16.00'	---
67	180°00'00"	3.00'	9.42'	---
68	N 07°30'27" W	---	16.00'	---
69	180°00'00"	3.00'	9.42'	---
70	N 07°30'27" W	---	43.00'	---
71	90°00'00"	2.00'	3.14'	2.00'
72	N 82°29'33" E	---	18.00'	---
73	90°00'00"	2.00'	3.14'	2.00'
74	N 07°30'27" W	---	27.00'	---
75	N 82°29'33" E	---	17.00'	---
76	N 07°30'27" W	---	18.00'	---
77	N 82°29'33" E	---	3.00'	---
78	90°00'00"	2.00'	3.14'	2.00'
79	N 82°29'34" W	---	4.19'	---
80	116°41'22"	4.00'	8.15'	6.49'
81	N 34°11'48" E	---	4.67'	---
82	126°37'17"	4.00'	8.84'	7.96'
83	N 19°10'55" W	---	4.67'	---
84	116°41'21"	4.00'	8.15'	6.49'

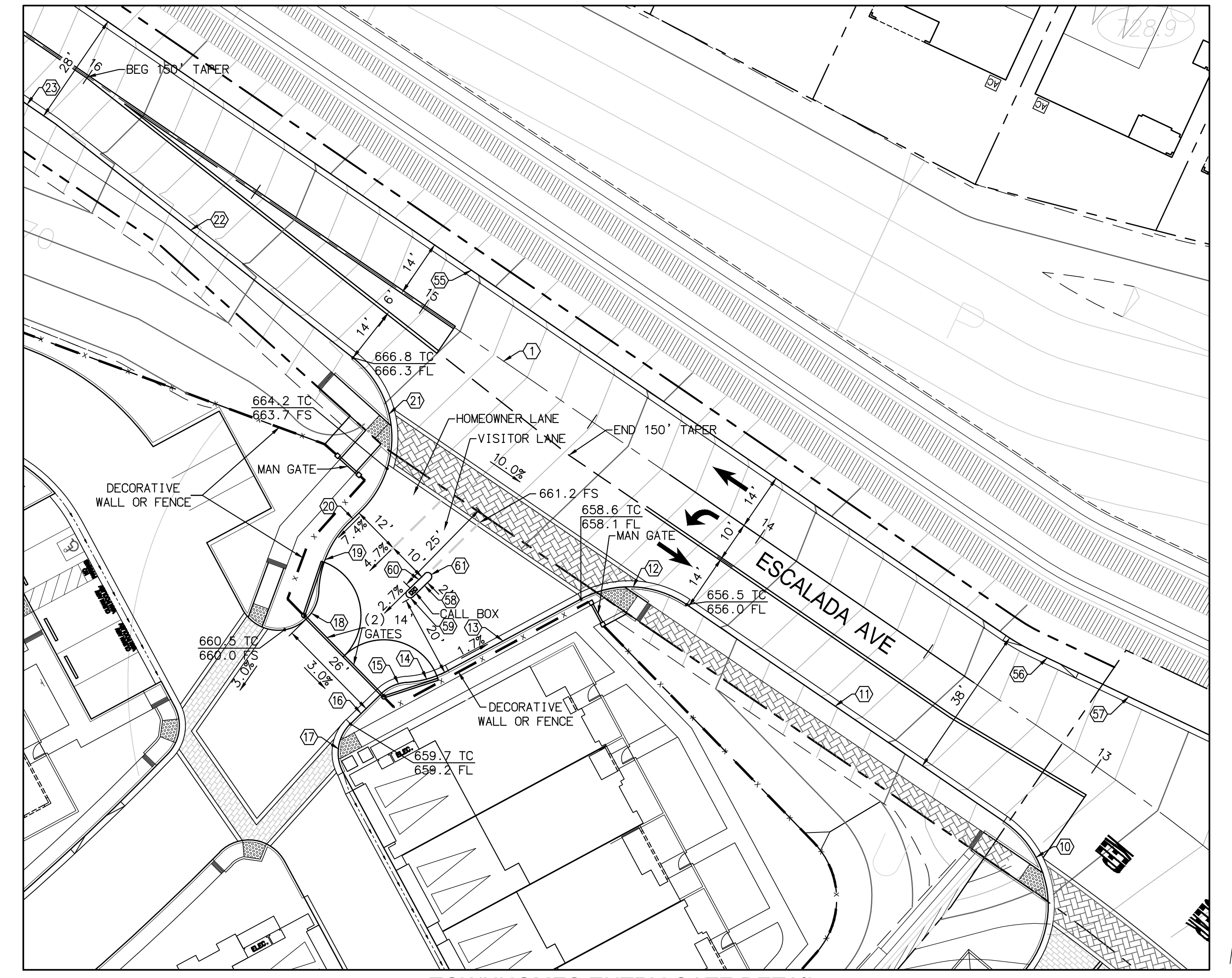
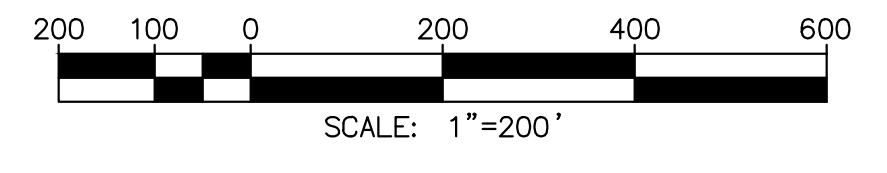


SEE SINGLE FAMILY HOMES ENTRY GATE DETAIL LEFT

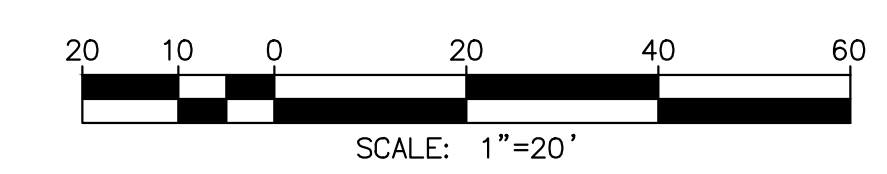
SEE TOWNHOMES ENTRY GATE DETAIL BELOW



LOCATION MAP



TOWNHOMES ENTRY GATE DETAIL



Michael Baker INTERNATIONAL
 5 Hutton Centre Drive, Suite 500, Santa Ana, CA 92707
 Phone: (949) 472-3505 - MBAKERINTL.COM

TERRACES AT WALNUT
 PRIVATE COMMUNITY ENTRANCE GATES
 GEOMETRICS EXHIBIT

SCALE:
 PER PLAN
 PROJECT NO.
 145267
 DATE:
 8/19/22