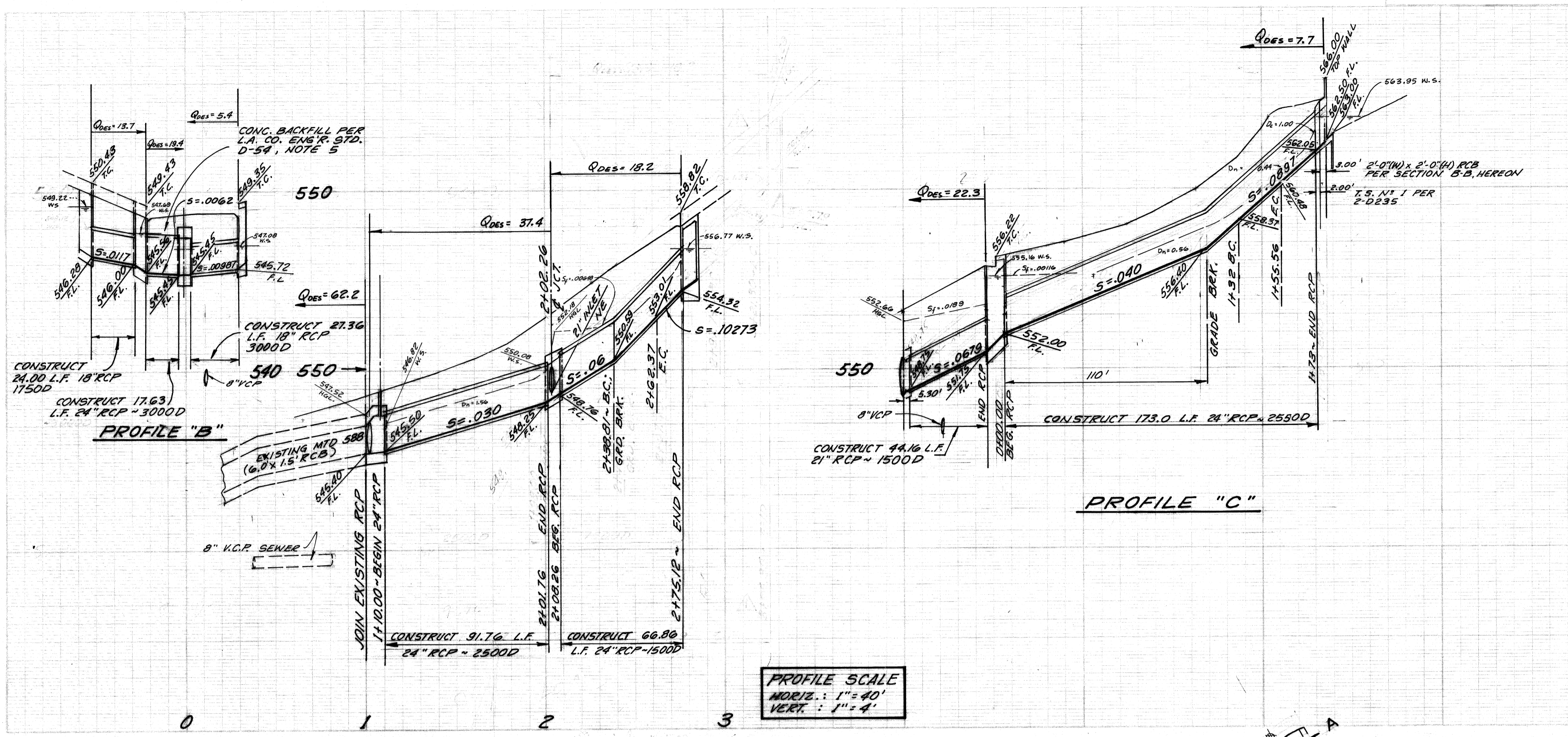


GENERAL NOTES FOR STORM DRAIN CONSTRUCTION

1. ALL PIPE LAID IN OPEN TRENCH SHALL BE BEDDED IN ACCORDANCE WITH L.A. COUNTY ENGINEER CASE NO. BEDDING PER STD. D-54.
2. APPLICATION FOR INSPECTION BY THE CITY OF WALNUT SHALL BE MADE BY THE CONTRACTOR AT LEAST 24 HOURS BEFORE THE SERVICES THEREOF WILL BE REQUIRED. PHONE : 595-7543.
3. 24 HOURS PRIOR TO CONSTRUCTION, THE CONTRACTOR SHALL NOTIFY THE LOS ANGELES COUNTY FLOOD CONTROL DISTRICT INSPECTOR AT 226-4206.
4. ALL WORK SHALL CONFORM TO THE REQUIREMENTS OF THE STANDARD SPECIFICATIONS FOR PUBLIC WORKS CONSTRUCTION (1973 EDITION AND ALL SUPPLEMENTS).
5. ALL BACKFILL SHALL BE COMPACTED TO A RELATIVE DENSITY OF 90%.
6. ALL STATE AND LOCAL TRENCH SAFETY RULES WILL BE RIGIDLY ENFORCED.
7. THE CONTRACTOR MUST MAINTAIN ALL TRAFFIC SIGNS IN AN UPRIGHT, READILY DISCERNIBLE POSITION, AND FREE FROM OBSTRUCTIONS TO MOTORIST'S VISION, AND SHALL RESET SAME IN SAME POSITION UPON COMPLETION OF CONSTRUCTION.
8. EXISTING UTILITIES CROSSING STORM DRAIN SHALL BE SUPPORTED PER LACFCO STD. 2-D173, OR AS DIRECTED BY THE CITY ENGINEER.
9. RCP SHALL BE MANUFACTURED AND INSPECTED IN ACCORDANCE WITH SECTION 207-2.7, 2.8 & 2.9 OF STANDARD SPECIFICATIONS.
10. CONTRACTOR SHALL FURNISH A LETTER OF CERTIFICATION FROM THE PIPE MANUFACTURER AS TO TEST RESULTS OF PIPE INSTALLED.
11. ALL PIPE LENGTHS SHOWN ARE HORIZONTAL PROJECTIONS, UNLESS OTHERWISE NOTED.
12. THE ENGINEER, V.T.N. HAS INVESTIGATED ALL AVAILABLE RECORDS OF THE CITY AND OF THE UTILITY COMPANIES INVOLVED, AND ALL KNOWN SUBSTRUCTURES ARE SHOWN HEREON. IT SHALL BE THE RESPONSIBILITY OF THE CONTRACTOR TO LOCATE ALL SUBSTRUCTURES, WHETHER SHOWN OR NOT, AND TO PROTECT THEM FROM DAMAGE. THE CONTRACTOR SHALL BEAR THE TOTAL EXPENSE OF REPAIR OR REPLACEMENT OF SAID SUBSTRUCTURES DAMAGED BY HIS OPERATIONS IN CONNECTION WITH THE EXECUTION OF SAID WORK.
13. ALL CONCRETE SHALL HAVE A 28 DAY COMPRESSIVE STRENGTH OF 4000 PSI.
14. ALL REINFORCING STEEL SHALL CONFORM TO A.S.T.M. A-615 - GRD 60.
15. THE INSPECTOR MAY HAVE THE OPTION OF REQUIRING CONCRETE BACKFILL DURING CONSTRUCTION. WHEN THE PIPE HAS LESS THAN ONE FOOT OF COVER, THE CONCRETE BACK-FILL SHALL CONSIST OF 1:1.5 MIX P.C.C. POURED FROM WALL TO WALL OF TRENCH AND FROM BOTTOM OF TRENCH TO A MINIMUM DEPTH OF 4" OVER TOP OF PIPE.
16. ELEVATIONS ARE IN FEET ABOVE U.S.C.E.G.S. MEAN SEA LEVEL.
17. THIS STORM DRAIN WILL NOT BE ACCEPTED FOR MAINTENANCE UNTIL THE STREETS HAVE BEEN PAVED, MANHOLES BROUGHT UP TO GRADE, AND THE SYSTEM CLEANED TO THE SATISFACTION OF THE CITY ENGINEER.



PROFILE SCALE
 HORIZ. : 1" = 40'
 VERT. : 1" = 4'

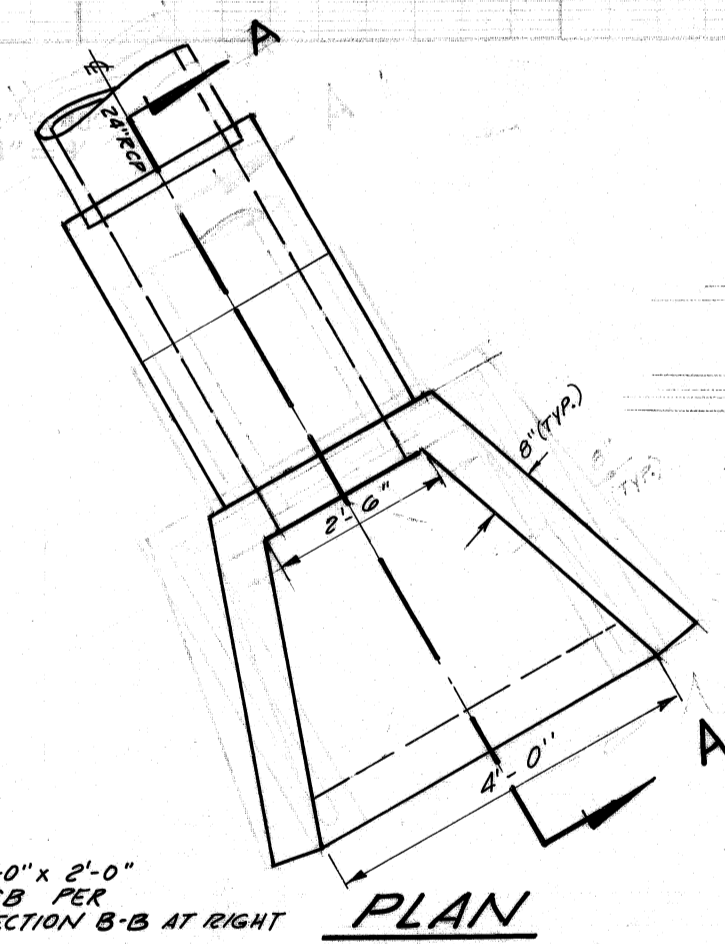
CURVE DATA - & STORM DRAIN

1. $A = 30^\circ 00' 00''$ $R = 45'$
 $T = 12.06'$ $L = 23.56'$

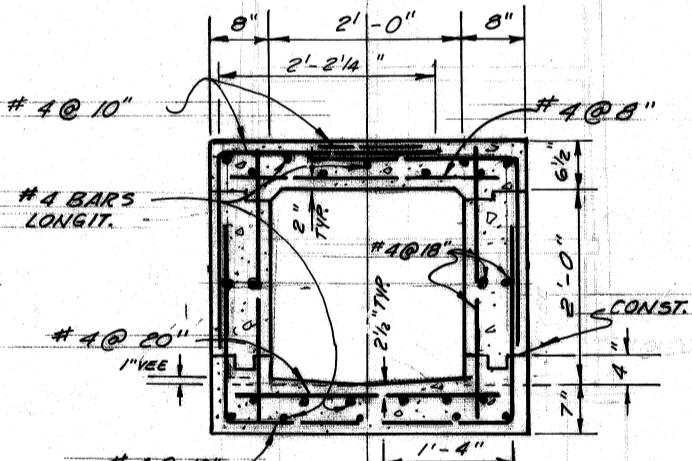
CONSTRUCTION NOTES

1. CONSTRUCT INLET STRUCTURE PER DETAIL AT RIGHT
2. CONSTRUCT TRANSITION STRUCTURE NO. 3 PER LACFCO STD. 2-D109; $A = 30^\circ$; $B = 21'$ $C = 3.30'$ $D = 24'$
3. CONSTRUCT TRANSITION/JUNCTION STRUCTURE PER LACFCO STD. 2-D235, AND PER DETAILS, SHEET 3.
4. CONSTRUCT CATCH BASIN NO. 6 PER LACFCO STD. 2-D109; CASE B (TWO BAYERS); LOCAL DEPRESSION NO. 3 PER LACFCO STD. 2-D235, CASE "B"; SEE PLAN FOR "W" AND "V" DIMENSIONS.
5. CONSTRUCT CATCH BASIN NO. 2 PER LACFCO STD. 2-D162 $W = 7'$; $V = 3.03'$ LOCAL DEPRESSION NO. 4 PER LACFCO STD. 2-D415.

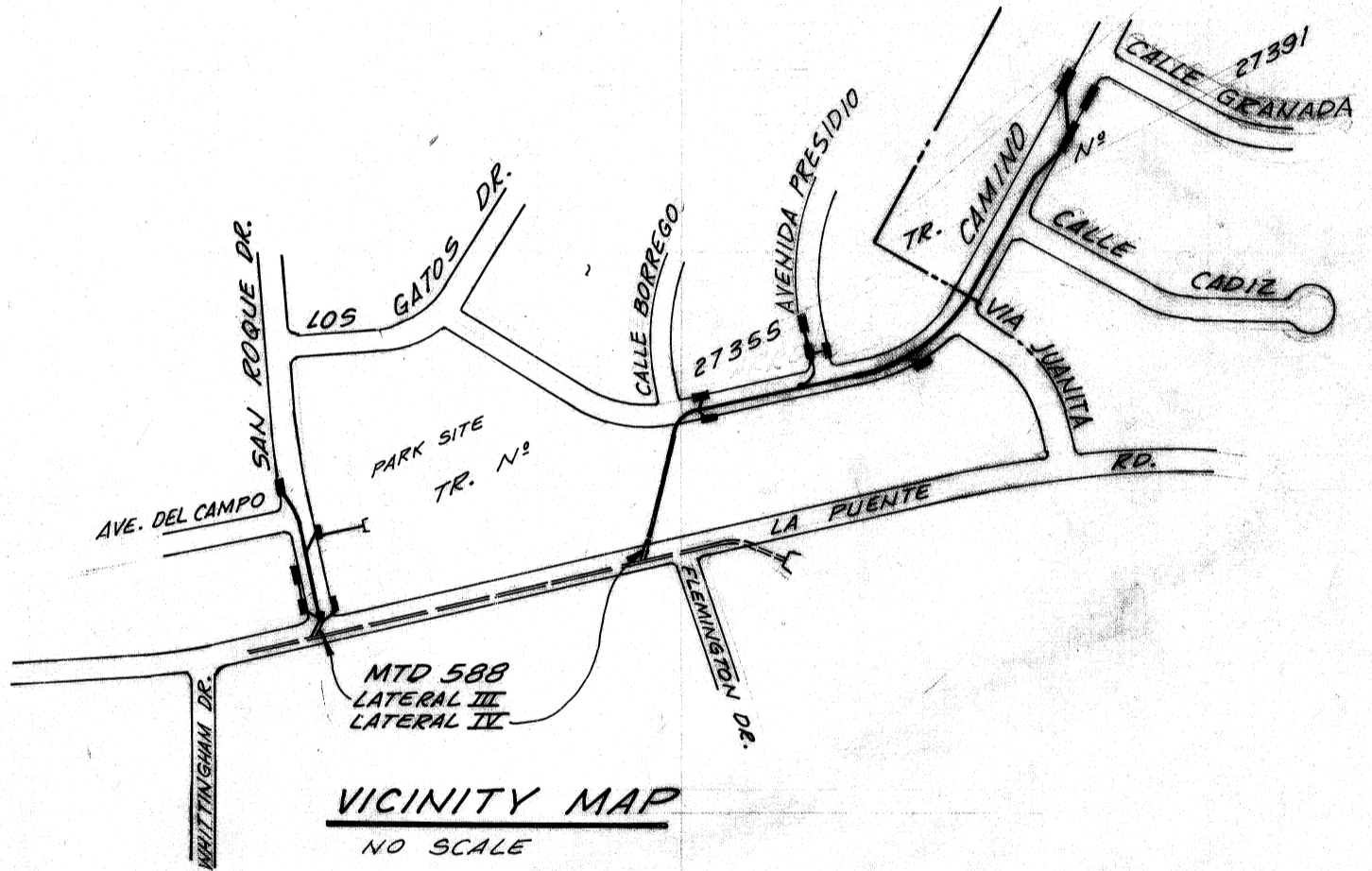
HORIZ. 1" = 40'
 VERT. 1" = 4'



PLAN



SECTION B-B
 SCALE : 1/2" = 1'-0"

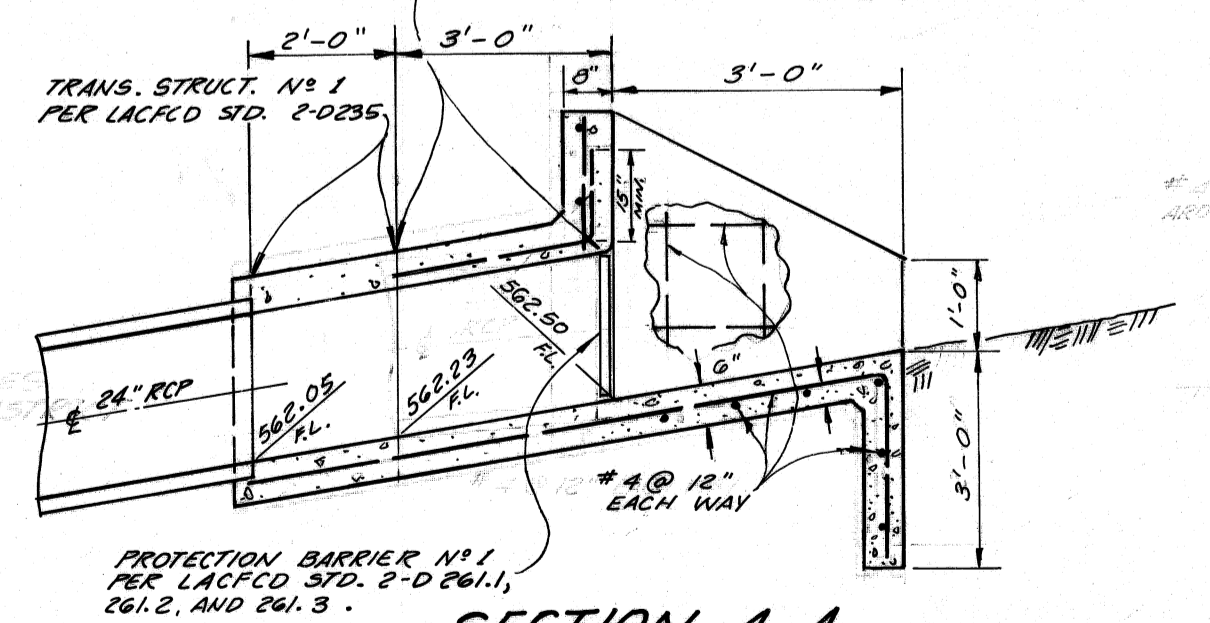


VICINITY MAP
 NO SCALE

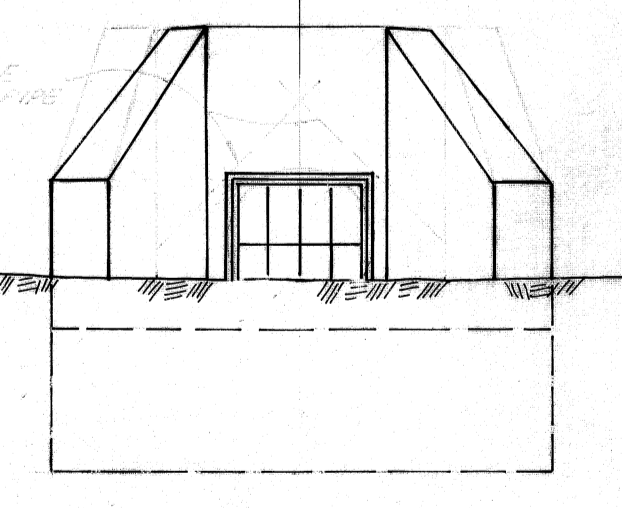
LIST OF STANDARD DRAWINGS

MANHOLE NO. 2	2-D184	C.B. REIN.	2-D172
CATCH BASIN NO. 6	2-D109	C.B. REIN. FOR ROUND M.H.	2-D 57
LOCAL DEPRESSION NO. 3	2-D415	M.H. FRAME & COVER (FOR C.B.)	2-D 156
TRANSITION STR. NO. 1	2-D235	SEWER PROTECTION	2-D 251
MANHOLE NO. 3	2-D109	SPECIAL M.H. FRAME & COVER	2-D427
JUNCTION STR. NO. 2	2-D112	MANHOLE NO. 1	2-D102
CONCRETE COLLAR	2-D393	TRANS. STR. NO. 3	2-D103
MANHOLE NO. 4	2-D113		
CATCH BASIN NO. 2	2-D162		
CATCH BASIN NO. 3	2-D163		
LOCAL DEPRESSION NO. 4	2-D415	L.A. CO. ENGR.	D-54
LOCAL DEPRESSION NO. 2	2-D107	PIPE BEDDING	
MANHOLE SHAFT	2-D107		
STD. DROP STEP	2-D96		
CATCH BASIN OPENING	2-D232		
M.H. FRAME & COVER	2-D472		

BENCH MARK : BG 1757
 I.E.T. IN CONC. SLAB @ FRONT DOOR TO HOUSE NO 537 NOGALES ST.,
 94' WEST OF E. 0.25 NORTH OF VALLEY BLVD.
 COVINA QUAD. 1965 ELEV. 453.904

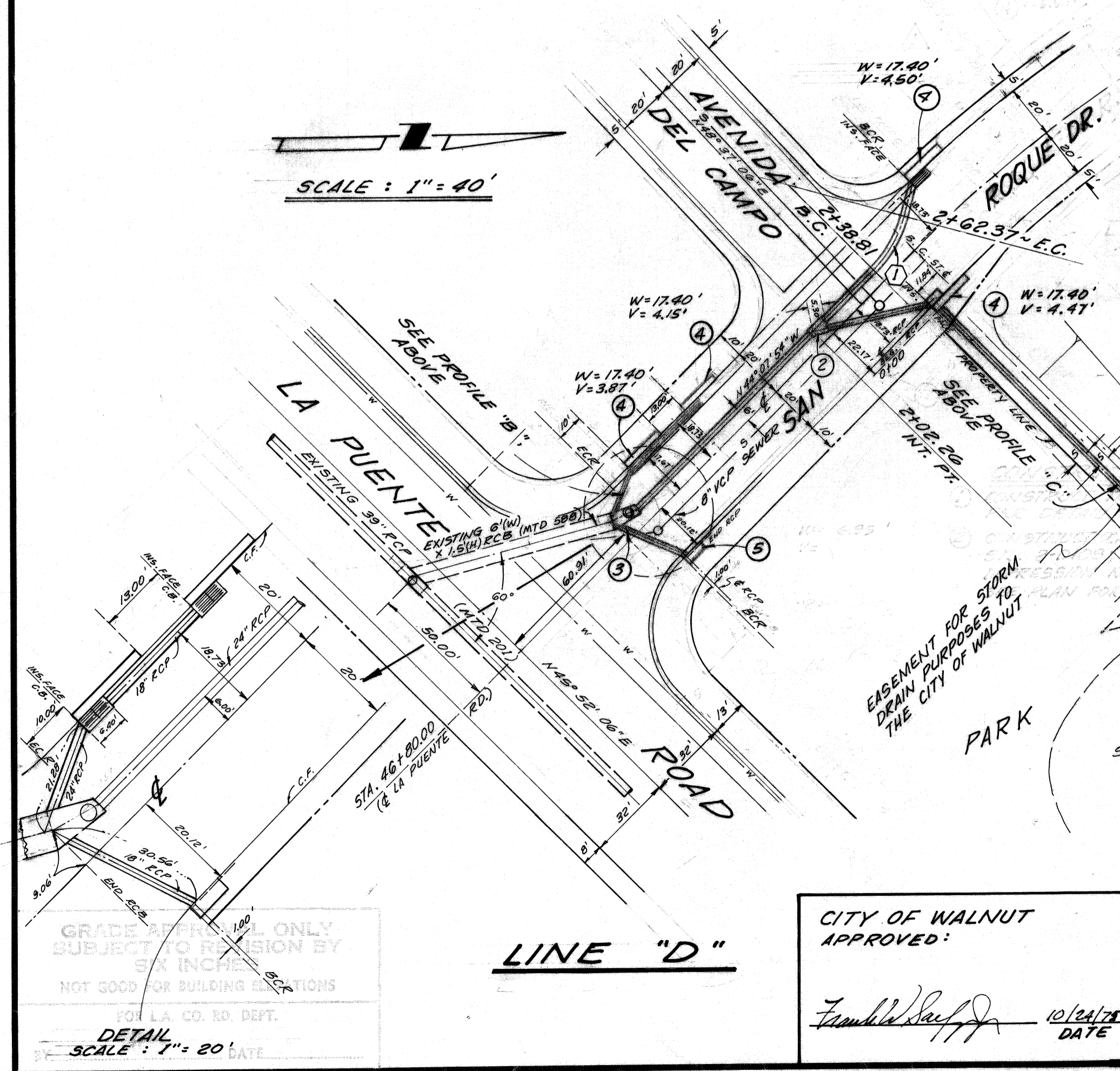


SECTION A-A



ELEVATION

INLET STRUCTURE DETAIL
 SCALE : 3/8" = 1'-0"



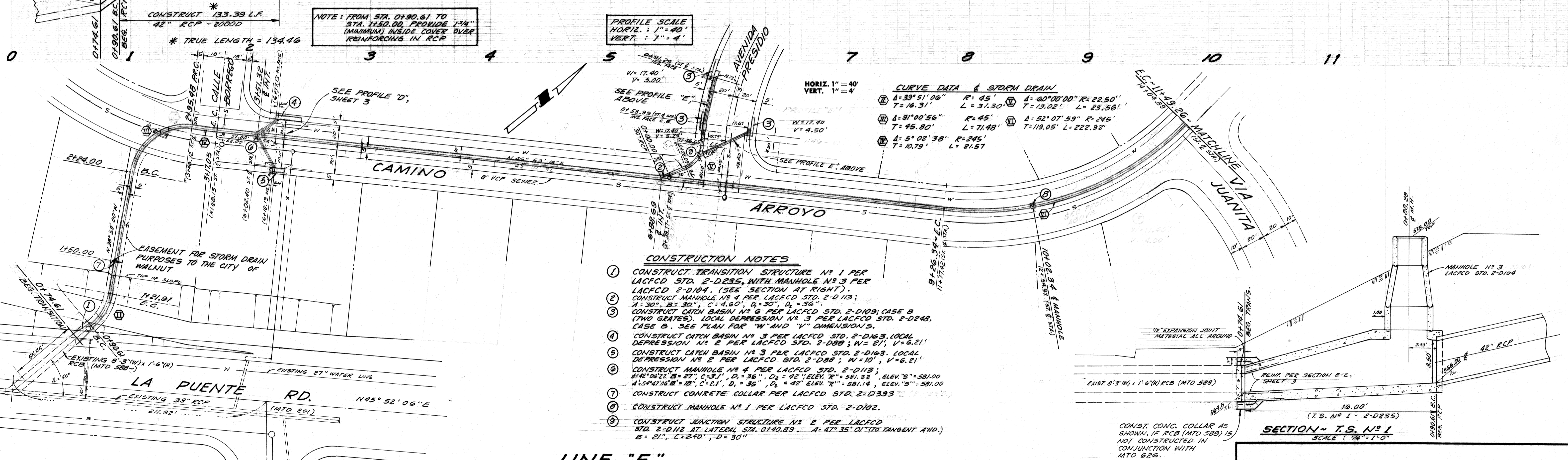
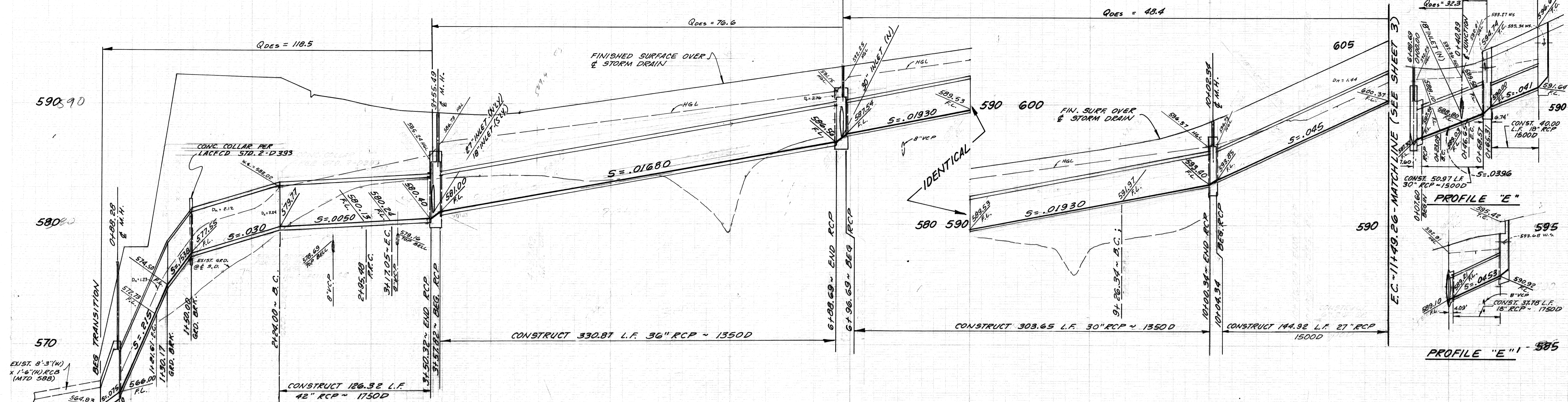
LINE "D"

CITY OF WALNUT APPROVED:
 [Signature]

PLANS PREPARED BY:
 [Logo] V.T.N.
 [Signature] CIVIL ENGINEER

REVISIONS	
REVISIONS	REVISIONS
REVISIONS	REVISIONS
REVISIONS	REVISIONS

LOS ANGELES COUNTY
CITY OF WALNUT DEPARTMENT
STORM DRAIN
 MISCELLANEOUS TRANSFER DRAIN NO. 626



PROFILE SCALE
 HORIZ. : 1" = 40'
 VERT. : 1" = 4'

CURVE DATA & STORM DRAIN

① Δ=33°51'06" R=45' T=16.31' L=31.30'	② Δ=60°00'00" R=22.50' T=13.02' L=23.56'
③ Δ=91°00'56" R=45' T=45.80' L=71.48'	④ Δ=52°07'59" R=246' T=119.05' L=222.92'
⑤ Δ=5°02'38" R=245' T=10.79' L=21.57'	

- CONSTRUCTION NOTES**
- CONSTRUCT TRANSITION STRUCTURE NO 1 PER LACFCO STD. 2-D-235, WITH MANHOLE NO 3 PER LACFCO STD. 2-D-104. (SEE SECTION AT RIGHT).
 - CONSTRUCT MANHOLE NO 4 PER LACFCO STD. 2-D-113; A=30", B=30", C=4.60', D=30", D₂=36"
 - CONSTRUCT CATCH BASIN NO 6 PER LACFCO STD. 2-D-109; CASE B (TWO GATES). LOCAL DEPRESSION NO 3 PER LACFCO STD. 2-D-248. CASE B. SEE PLAN FOR "W" AND "V" DIMENSIONS.
 - CONSTRUCT CATCH BASIN NO 3 PER LACFCO STD. 2-D-163. LOCAL DEPRESSION NO 2 PER LACFCO STD. 2-D-88; W=21', V=6.21'
 - CONSTRUCT CATCH BASIN NO 3 PER LACFCO STD. 2-D-163. LOCAL DEPRESSION NO 2 PER LACFCO STD. 2-D-88; W=10', V=6.21'
 - CONSTRUCT MANHOLE NO 4 PER LACFCO STD. 2-D-113; A=42'06"22", B=27", C=31", D=36", D₂=42"; ELEV. "X"=581.32, ELEV. "S"=581.00; A=59'47"06"8", B=18", C=21", D=36", D₂=42"; ELEV. "X"=581.14, ELEV. "S"=581.00
 - CONSTRUCT CONCRETE COLLAR PER LACFCO STD. 2-D-393
 - CONSTRUCT MANHOLE NO 1 PER LACFCO STD. 2-D-102.
 - CONSTRUCT JUNCTION STRUCTURE NO 2 PER LACFCO STD. 2-D-112 AT LATERAL STA. 0+40.83. A=47°35'01" (TO TANGENT AHD.); B=21", C=240", D=30"

GRADE APPROVAL ONLY
 SUBJECT TO REVISION BY
 SIX INCHES
 NOT GOOD FOR BUILDING ELEVATIONS
 FOR L.A. CO. RD. DEPT.

CITY OF WALNUT
 APPROVED: *Frank J. [Signature]*
 DATE: 9/22/75

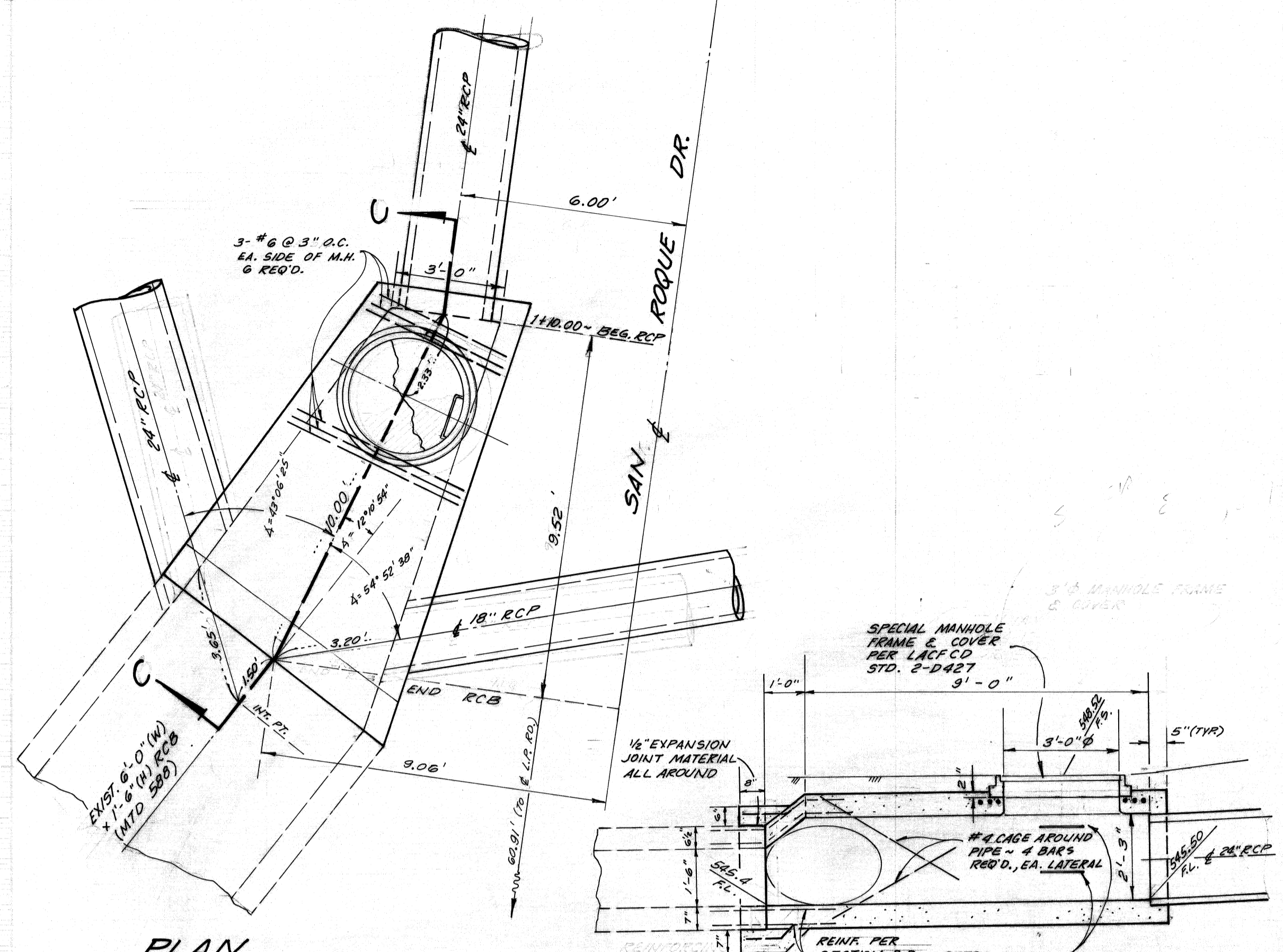
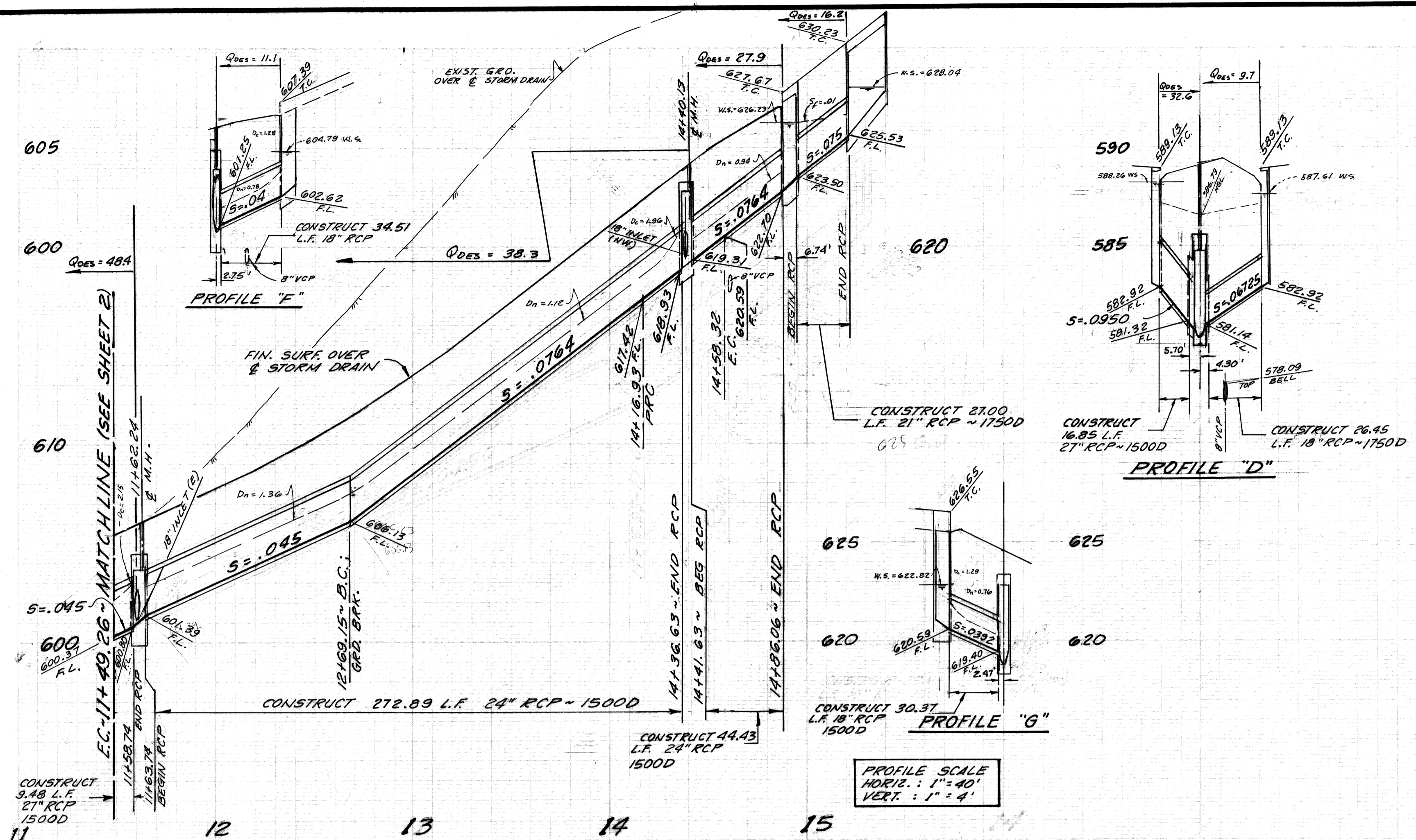
PLANS PREPARED BY:

 consolidated, inc.
 ENGINEERS ARCHITECTS PLANNERS PHOTOGRAMMETRISTS
 2301 CAMPUS DRIVE, IRVINE, CALIFORNIA 92614 (714) 833-2756
 SIGNATURE: *Maria L. [Signature]* R. E. No. 17588
 CIVIL ENGINEER

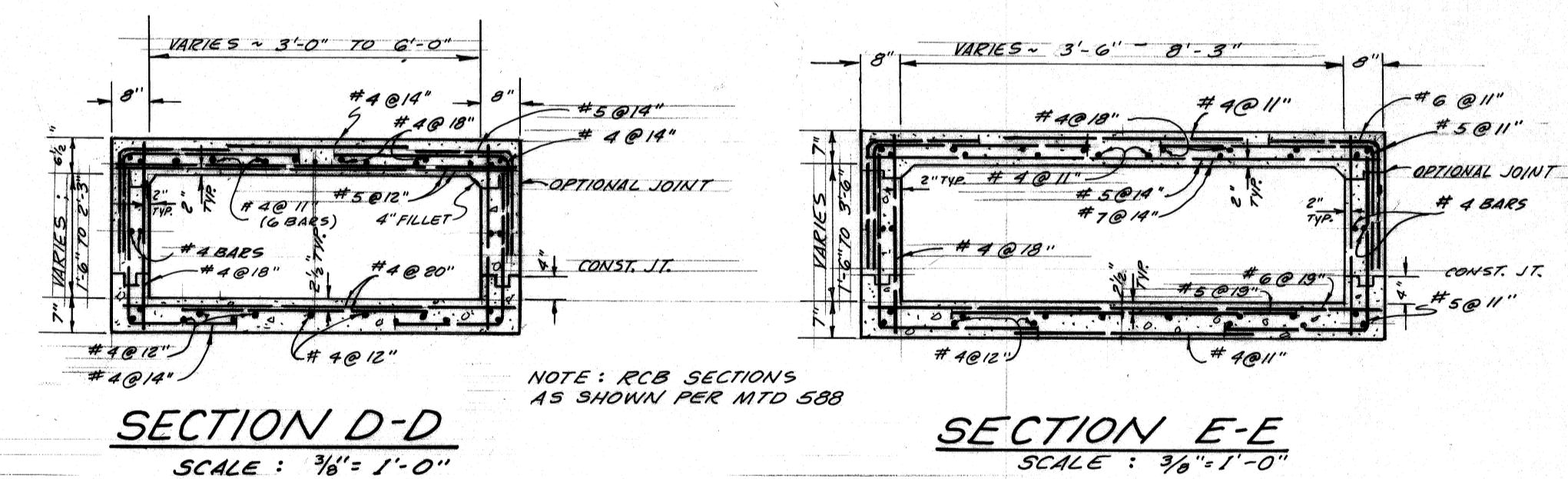
REVISIONS

REVISED BY	RE. No.	REVISED BY	RE. No.	REVISED BY	RE. No.
APPROVED	DATE	APPROVED	DATE	APPROVED	DATE

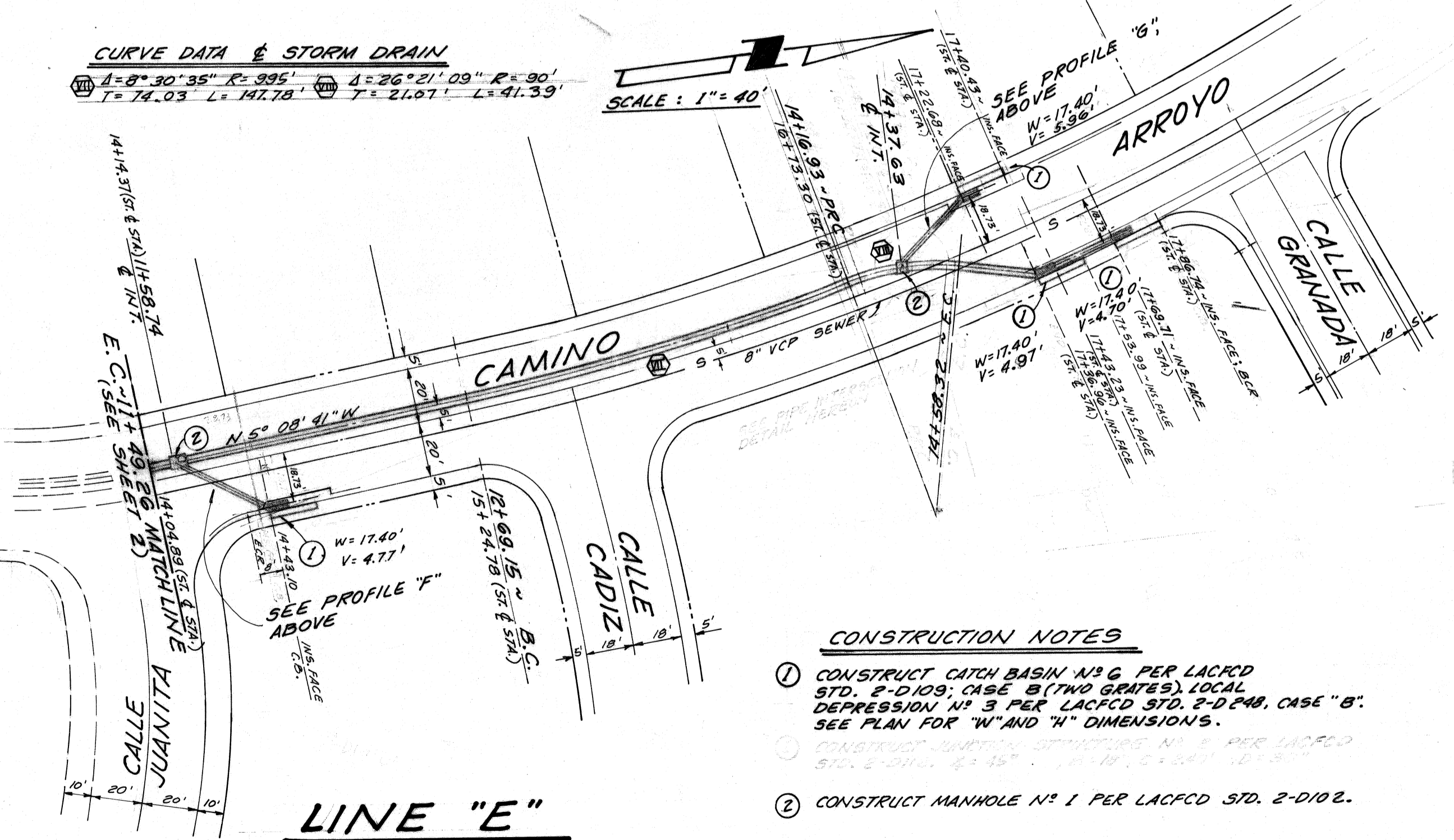
LOS ANGELES CITY OF WALNUT DEPARTMENT
STORM DRAIN
 MISCELLANEOUS TRANSFER DRAIN NO 62G



DETAILS ~ TRANSITION/JUNCTION STRUCTURE



CURVE DATA & STORM DRAIN
 Δ = 8° 30' 35" R = 995' Δ = 26° 21' 09" R = 90'
 T = 14.03 L = 141.78 T = 21.07 L = 41.39



- CONSTRUCTION NOTES**
- CONSTRUCT CATCH BASIN N° 6 PER LACFCO STD. 2-D-103; CASE "B" (TWO GATES) LOCAL DEPRESSION N° 3 PER LACFCO STD. 2-D-148, CASE "B". SEE PLAN FOR "W" AND "H" DIMENSIONS.
 - CONSTRUCT MANHOLE N° 1 PER LACFCO STD. 2-D-102.

GRADE APPROVAL ONLY
 SUBJECT TO REVISION BY
 SIX INCHES
 NOT GOOD FOR BUILDING ELEVATIONS
 FOR L.A. CO. RD. DEPT.

CITY OF WALNUT
 APPROVED: *Frank W. Sady* 10/24/75
 DATE

PLANS PREPARED BY:
 consolidated, inc.
 ENGINEERS ARCHITECTS PLANNERS PHOTOGRAMMETRISTS
 280 CAMPUS DRIVE, IRVINE, CALIFORNIA 92614 (714) 835-2400
 SIGNATURE: *Marvin Hernandez* R.E. No. 17528
 CIVIL ENGINEER

REVISIONS			
REVISOR	RE. No.	DATE	APPROVED

LOS ANGELES CITY OF WALNUT PARTMENT

STORM DRAIN
 MISCELLANEOUS TRANSFER DRAIN N° 626

TR. 27355
 27391

SHT 3 of 3 SHTS
 154-78