

Note: Pipe bedding to be in accordance with LOS ANGELES County Road Department Standard Case I. Dimensions from concrete surface to center of reinforcing bars.

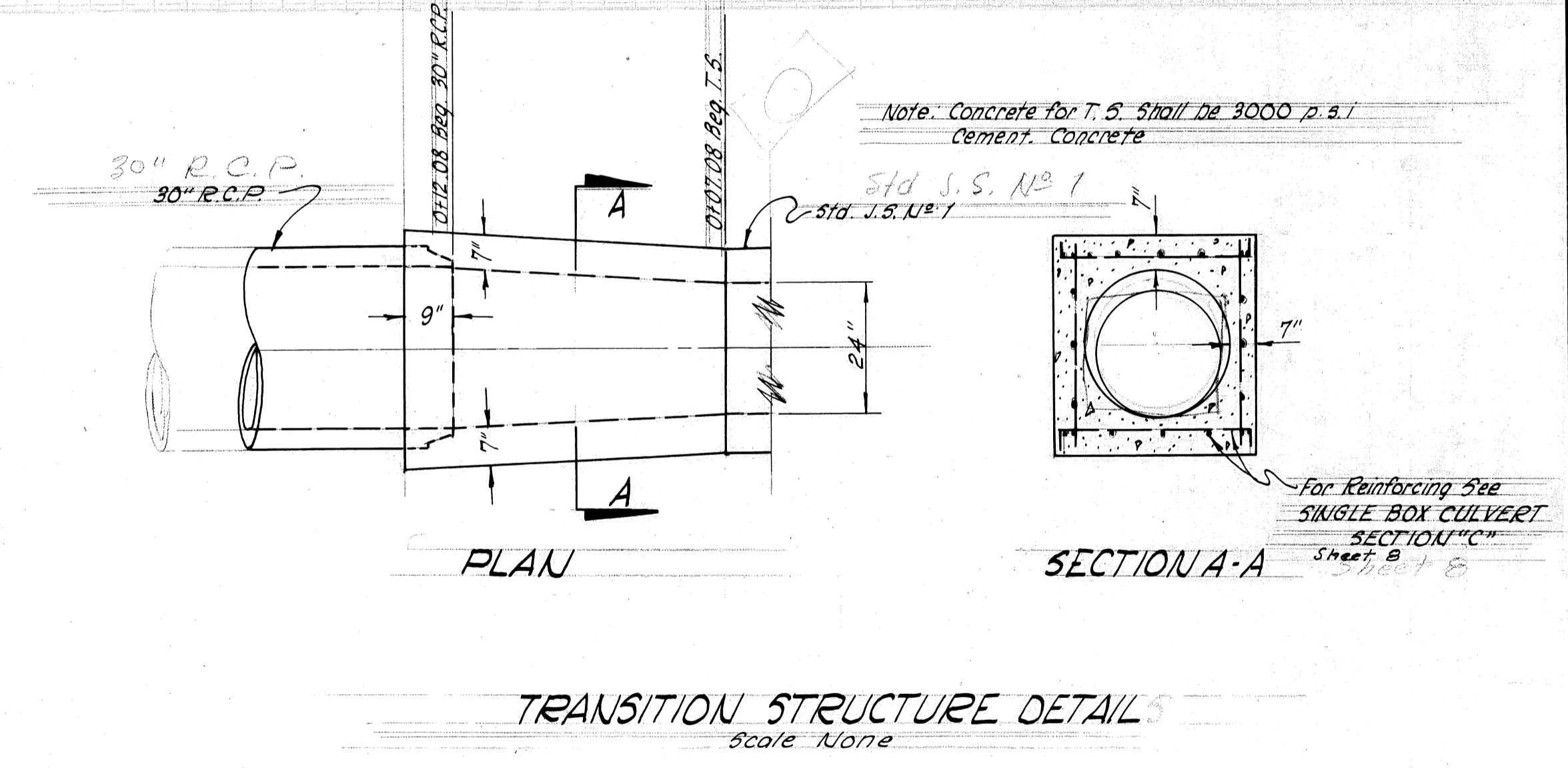
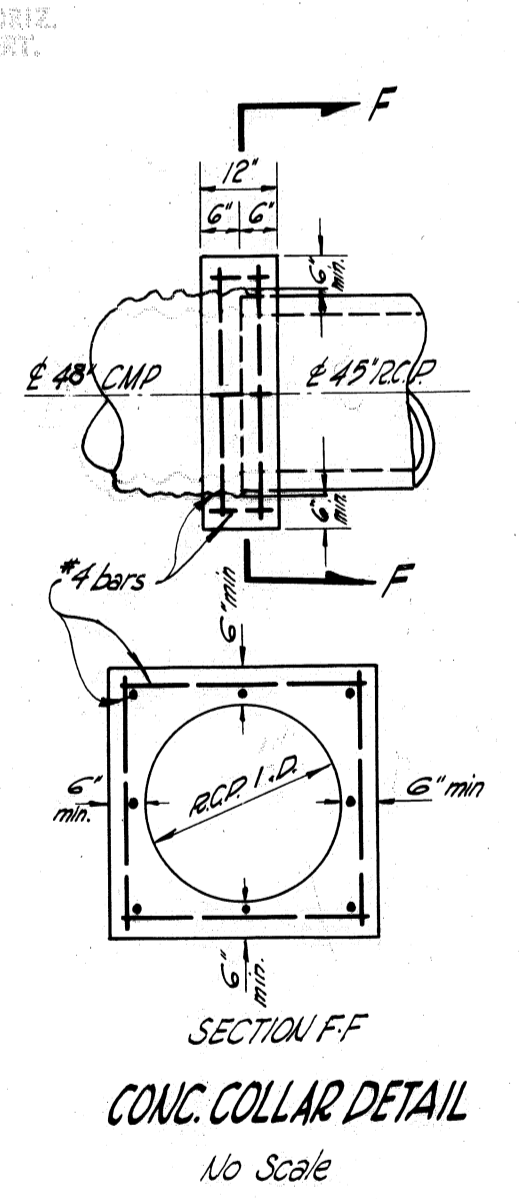
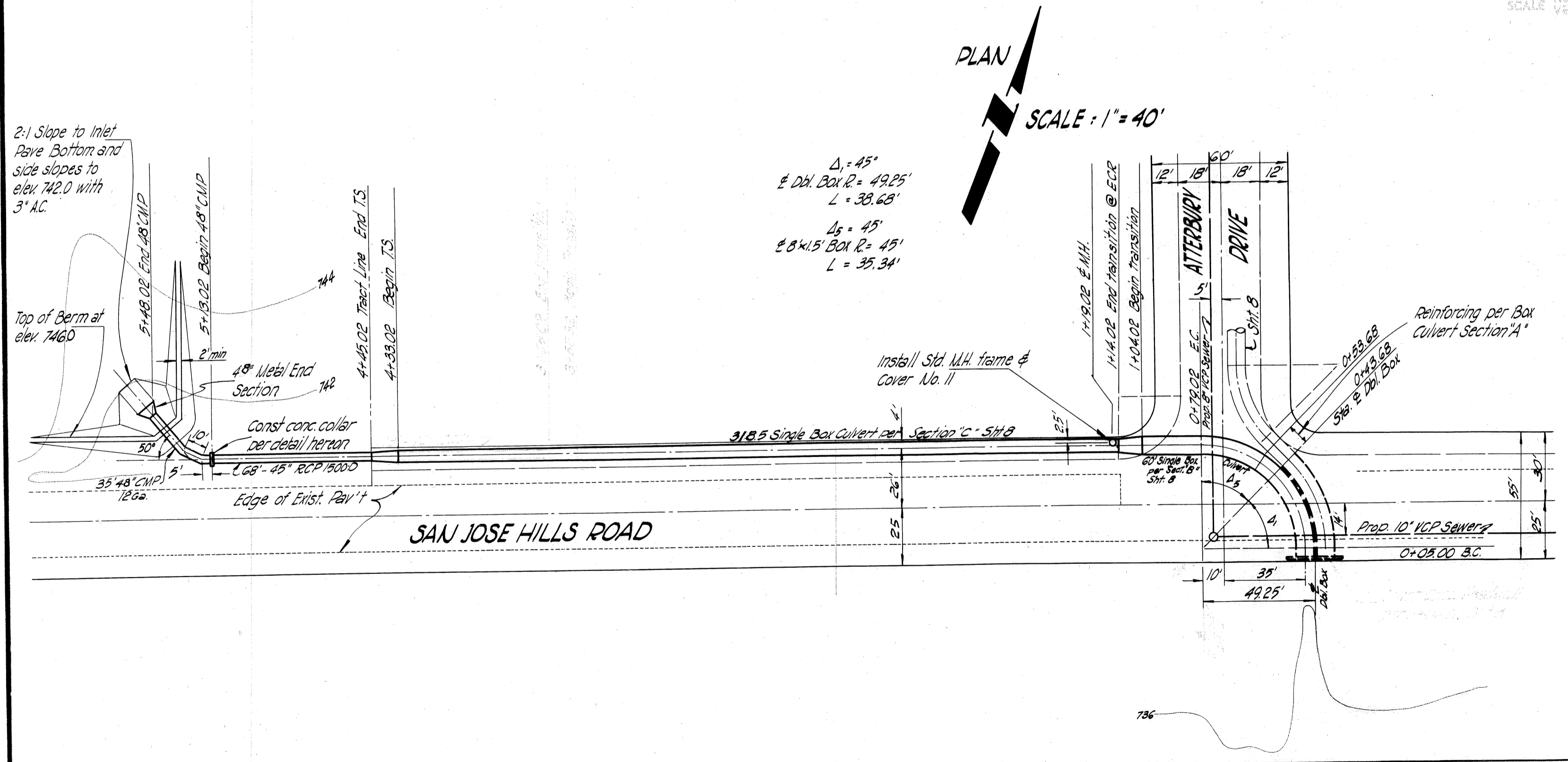
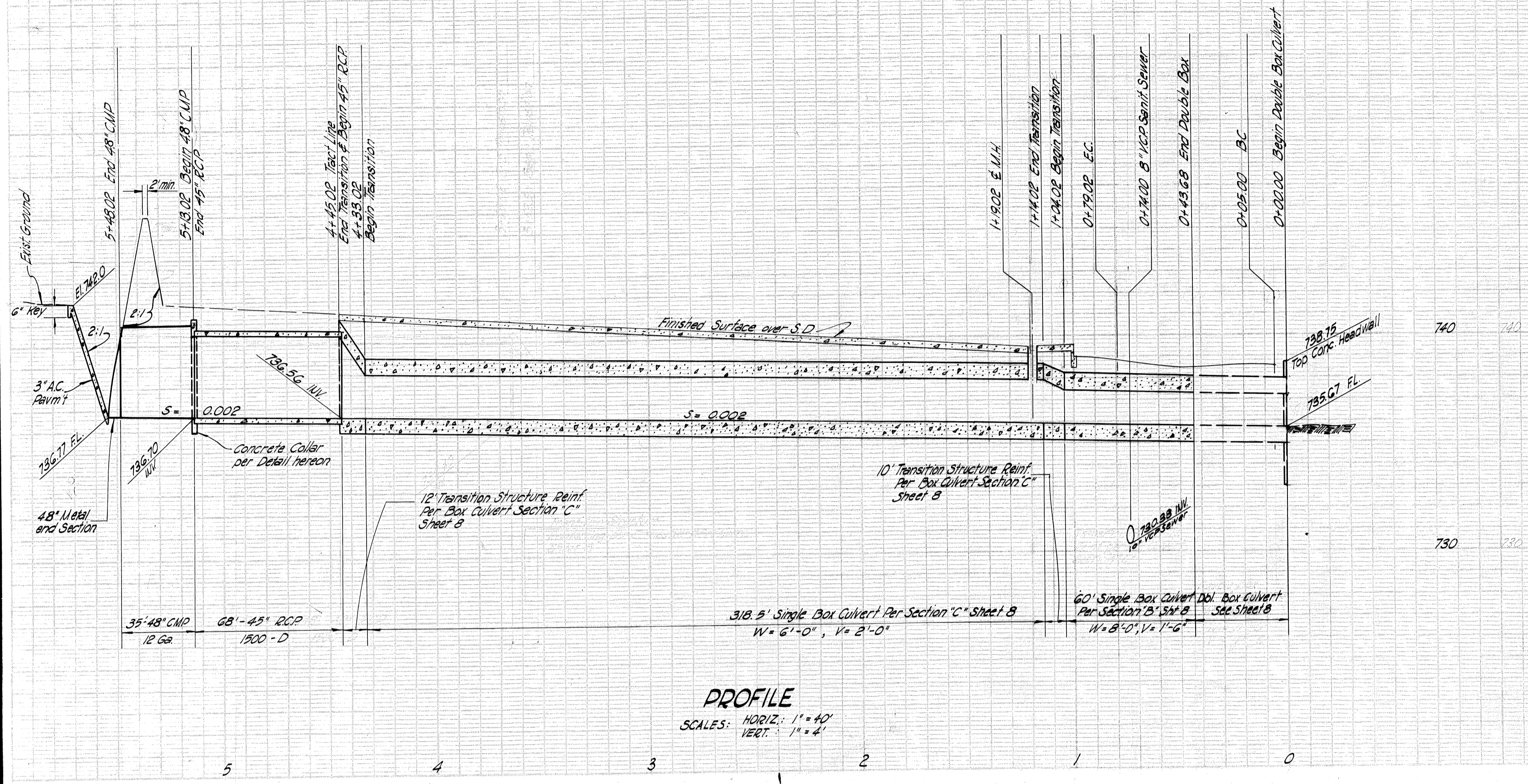
WORK ORDER: 6805-54 TRACT: 2638C
 FIELD BOOK: LEVEL BOOK
 PREPARED BY: *E. F. James*
 CIVIL ENGINEER NO. 3628 DATE: _____
 DESIGNED: G.S., J.C. & D.M. CHECKED: R.W.W.
 ENGINEERING SERVICE CORPORATION
 ENGINEERS - PLANNERS
 1127 WEST WASHINGTON BLVD. LOS ANGELES 15, CALIFORNIA
 RICHMOND 9-7281

Storm Drains on sheets 8 & 9 approved for capacity and location only
 CITY OF L.A. CALIFORNIA
 JOHN A. LAMBIE COUNTY ENGINEER
 APPROVED BY: *C. H. Lambie* DATE: 8-7-61
 Design Division Engineer
 CHECKED BY: *George J. Jannini* DATE: 8-7-61
 Office of the County Engineer R.E. 10-939

REVISIONS
 8/24/61 REV. L.O. & C.B. ELEV. & STATION
Thomas Smith 8-24-61

CITY OF WALNUT
 LOS ANGELES COUNTY ROAD DEPARTMENT
 JOB NAME: STORM DRAIN
 LIMITS: IN SAN JOSE HILLS ROAD, ATTERBURY DRIVE & LOYALTON DRIVE
 JOB NAME: _____
 LIMITS: _____
 W.S.D. # 001
 T: 26586 MJB 3995 SHT 8 of 9 SHTS

3995 #108H - 190-A



WORK ORDER: 2629-34 TRACT: 26286
 FIELD BOOK: LEVEL BOOK
 PREPARED BY: *P. J. ...*
ENGINEERING SERVICE CORPORATION
 ENGINEERS — PLANNERS
 1127 WEST WASHINGTON BLVD. LOS ANGELES 15, CALIFORNIA
 RICHMOND 9-7281

REVISIONS	

CITY OF WALNUT	
LOS ANGELES COUNTY ROAD DEPARTMENT	
JOB NAME	STORM DRAIN
LIMITS	IN SAN JOSE HILLS ROAD
JOB NAME	
LIMITS	
W.S.D.# 002	
Tf. 26586	MJB 3996
SHT 9 of 9 SHTS	